



Features:

- Constant voltage/ PWM Output
- Leading edge dimmable
- AC input: 180-240VAC
- Efficiency up to 80%
- Protections: Short circuit/Over loading/ Over current
- Full protection plastic housing easy installation
- IP20 design for indoor installation
- Cooling by free air convection
- Suitable for LED lighting and moving signs



Models

ELED-15-12T

ELED-15-24T

Output Specifications

	ELED-15-12T	ELED-15-24T
Output Voltage	12V	24V
Voltage Tolerance	±0.5V	
Output Current	1.25A	0.62A
Rated Power	15W	

Input Specifications

Input Voltage	180-240VAC	
Frequency Range	47-63Hz	
Inrush Current	26A (Twidth=180µs 230VAC)	
Full Load Efficiency (Typ.)	78%	80%
AC Current (Max.)	0.17A	
Leakage Current	<0.50mA	
Power Factor	PF>0.65/180VAC PF>0.65/230VAC PF>0.65/240VAC (Full Loading)	

Protection

Short Circuit	Hiccup mode, recovers automatically after fault condition is removed
Over Loading	≤120%
Over Current	≤1.2 *I out

Environment

Working Temperature	-40~+70°C
Working Humidity	20-90% RH, non-condensing
Storage Temperature, Humidity	-40~+80°C, 10-95% RH
Temperature Coefficient	±0.03%/°C (0-50°C)

Environment

Vibration 10-500Hz, 2G 10min./ 1 cycle, period for 72min.each along X, Y, Z axes

Safety

Safety standards EN61347-1

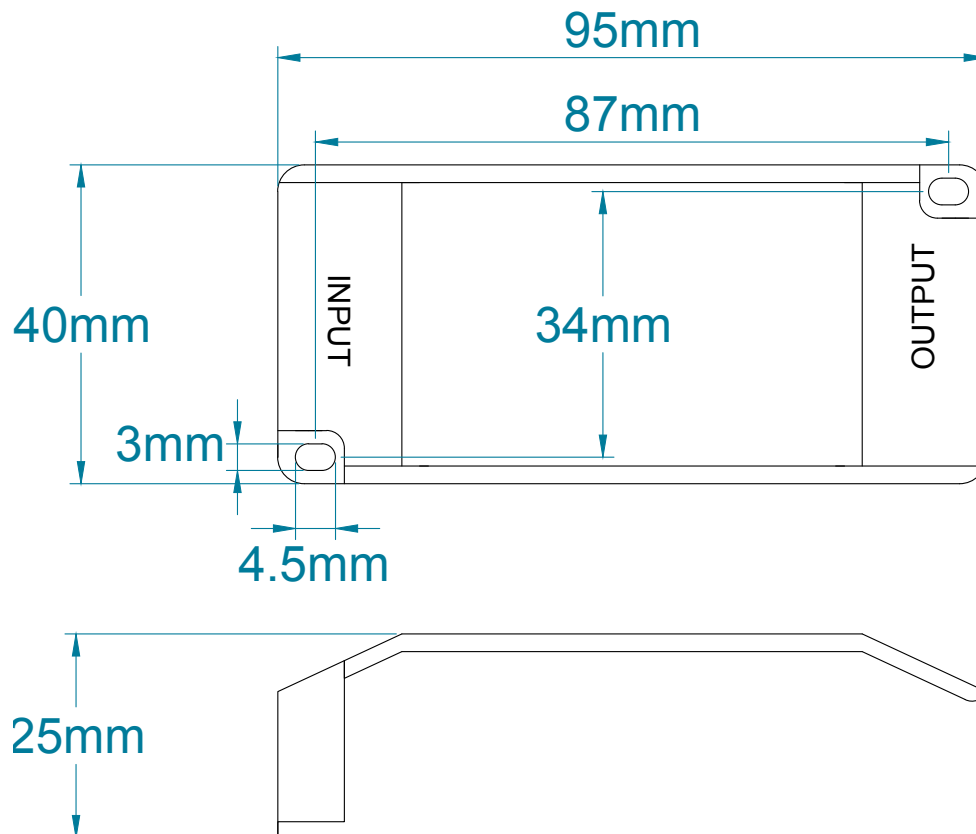
Other Specifications

Weight 0.2 Kg

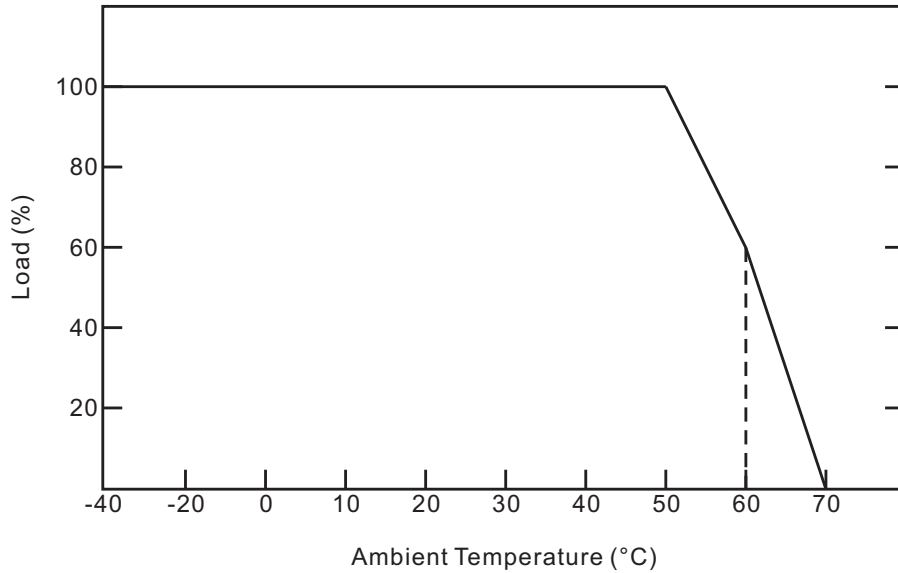
Size 95 x 40 x 25 mm

Packing 105 x 43 x 30 mm (inner box), 370 x 230 x 160 mm (100PCS/CTN)

Mechanical Specifications



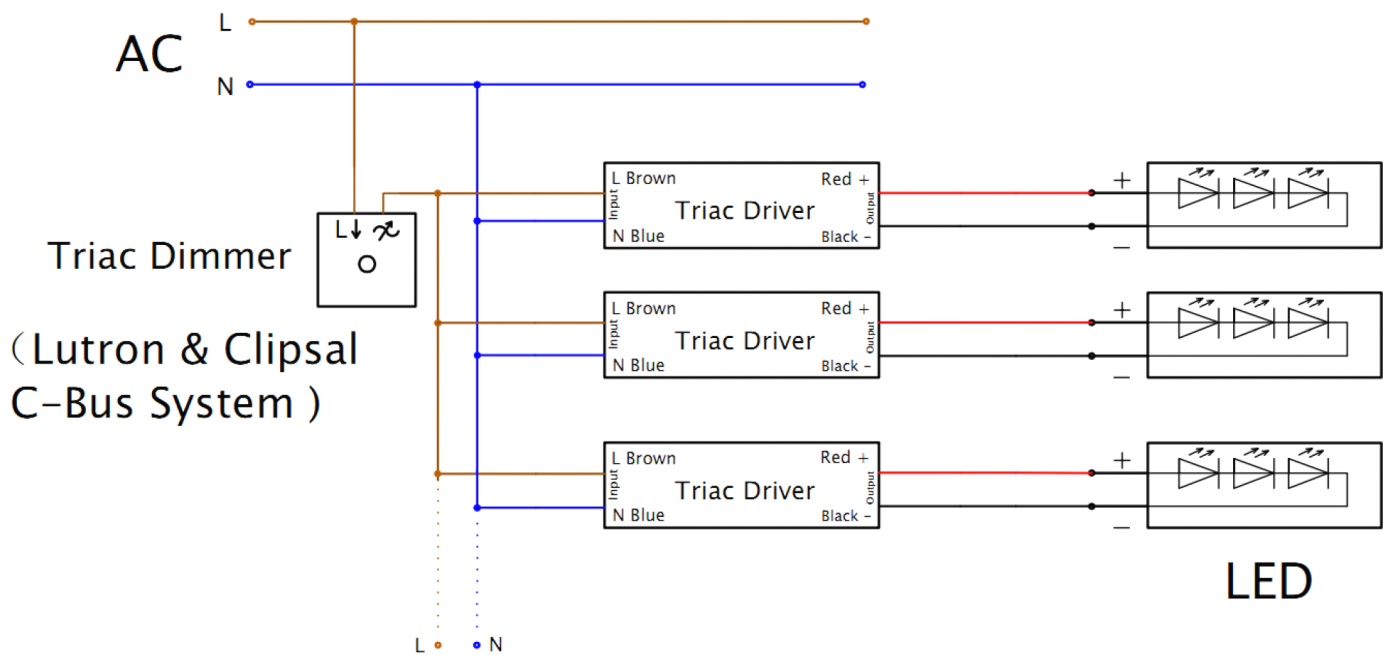
Derating Curve



Dimming Operation

- Compatible with Leading edge dimmers.
- Please use dimmers with power ratings at least 2 times the power rating of the LED Driver.

Connecting Diagram



Connecting Diagram

