

Features:

- Fully approved to all lighting specifications
- Output constant voltage
- High efficiency up to 86%
- Built in Active PFC function
- ErP Compliant
- Protections: Short circuit/ over loading/over temperature/ over Voltage
- Cooling by free air convection
- IP67 design for outdoor installation
- Input Surge Protection: 2KV line-line
- Low noise and Ripple
- 5 years warranty, High efficiency for longer life



Models

	EPV-40P-12	EPV-40P-24
Output Specifications		
Output Voltage	12V	24V
Voltage Accuracy		±5%
Output Current	3.34A	1.67A
Rated Power		40W
Input Specifications		
Input Voltage	220-240VAC	
Frequency Range	47-63Hz	
Full Load Efficiency (Typ.)	86%	
Power Factor Correction	>0.95, Full Load 230V/50Hz	
Input Current	0.25A Max	
Inrush Current	0.16A @Full Load, 230VAC	
Inrush Current (T50% value)	50A, Inrush current width 380µs	
No Load Power Consumption	≤0.5W	
Protection		
Over Load	Min: 110% Max: 150% Hiccup Auto Recovery	
Short Circuit	Hiccup Auto Recovery	
Over Temperature	Protection type: Auto Restore	
Environment		
Working TEMP.	-20~+75°C/TC Mac- 75°C	
Working Humidity	20-90% RH, non-condensing	
Life Time	>30,000h @40°C	

Environment

Storage Temperature -20~+85°C

Safety & EMC

Safety standards EN61347-1, EN61347-2-13

EMI EEN 55015, EN 61000-3-2, EN 61000-3-3

EMS EN61000-4-2,3,4,5,6,8,11, EN 61547

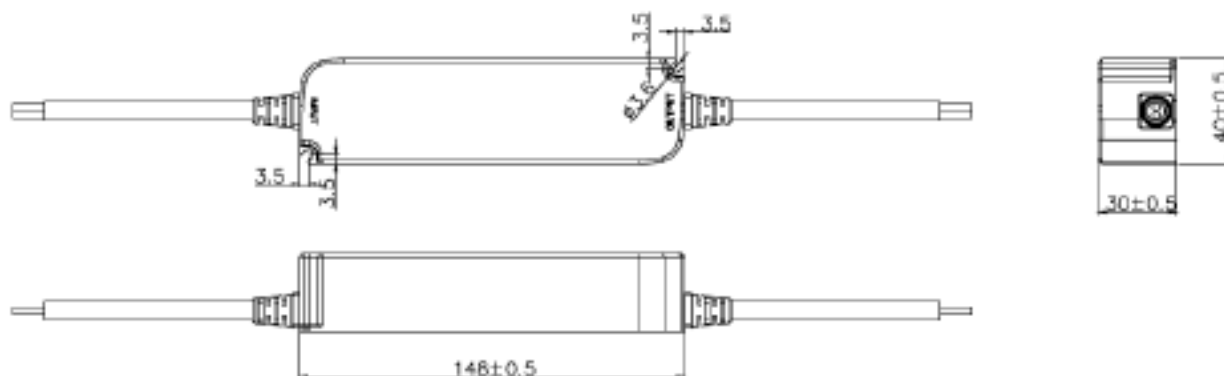
Other Specifications

Size 148 x 42 x 33 mm

Packing 355 x 320 x 275 mm (20PCS)

Weight 0.280Kg

Mechanical Specifications



Circuit breaker

EPV40-*P	Circuit Breaker	Type of CB	B10	B13	B16	B20	B25
		Number of Drivers per Single CB	4	5	6	8	10
		Type of CB	C10	C13	C16	C20	C25
		Number of Drivers per Single CB	6	8	11	13	17