



Features:

- Constant voltage/ PWM Output (NFC regulation)
- DALI & Push dimming function (0-100%)
- AC input: 100-277VAC
- Built-in active PFC function
- Efficiency up to 91.5%
- Protections: Short circuit/ Over load/ Over temperature
- Cooling by free air convection
- IP66 for indoor & outdoor installation
- Suitable for intelligent LED lighting
- 5 years warranty

Models

ELED-60-12DP2-SLP

ELED-60-24DP2-SLP

ELED-60-48DP2-SLP

Output Specifications

	ELED-60-12DP2-SLP	ELED-60-24DP2-SLP	ELED-60-48DP2-SLP
Output Voltage	12V (12-13.5V adjust by NFC)	24V (24-26V adjust by NFC)	48V (48-50V adjust by NFC)
Voltage Tolerance		± 0.2%	
Output Current	5A	2.5A	1.25A
Rated Power		60W	
Load Regulation	± 2%	± 1%	± 1%

Input Specifications

Input Voltage	100-277VAC
Frequency Range	47-63Hz
Inrush Current	18.4A,200us @50%120VAC 64.8A,91us @50%230VAC 45.6A,192us @50%277VAC
Full Load Efficiency (Typ.)	90% @277VAC 91.5% @277VAC 91.5% @277VAC
AC Current (Max.)	0.8A
Leakage Current	<0.5mA
Power Factor	PF≥0.99@120VAC PF≥0.98@230VAC PF≥0.95@277VAC (Full loading)

Protection

Short Circuit	Hiccup mode, recovers automatically after fault condition is removed
Over Loading	≤120% hiccup mode, recovers automatically after fault condition is removed
Over Temperature	100°C± 10°C
Protection Class	I

Environment

Working Temperature	-40~+60°C (Refer to derating curve)
Working Humidity	20-95% RH, non-condensing

Safety & EMC

Storage Temperature, Humidity	-40~+80°C, 10-95% RH
Temperature Coefficient	±0.03%/°C (0-50°C)
Vibration	10-500Hz, 5G 12min./ 1 cycle, period for 72min.each along X, Y, Z axes

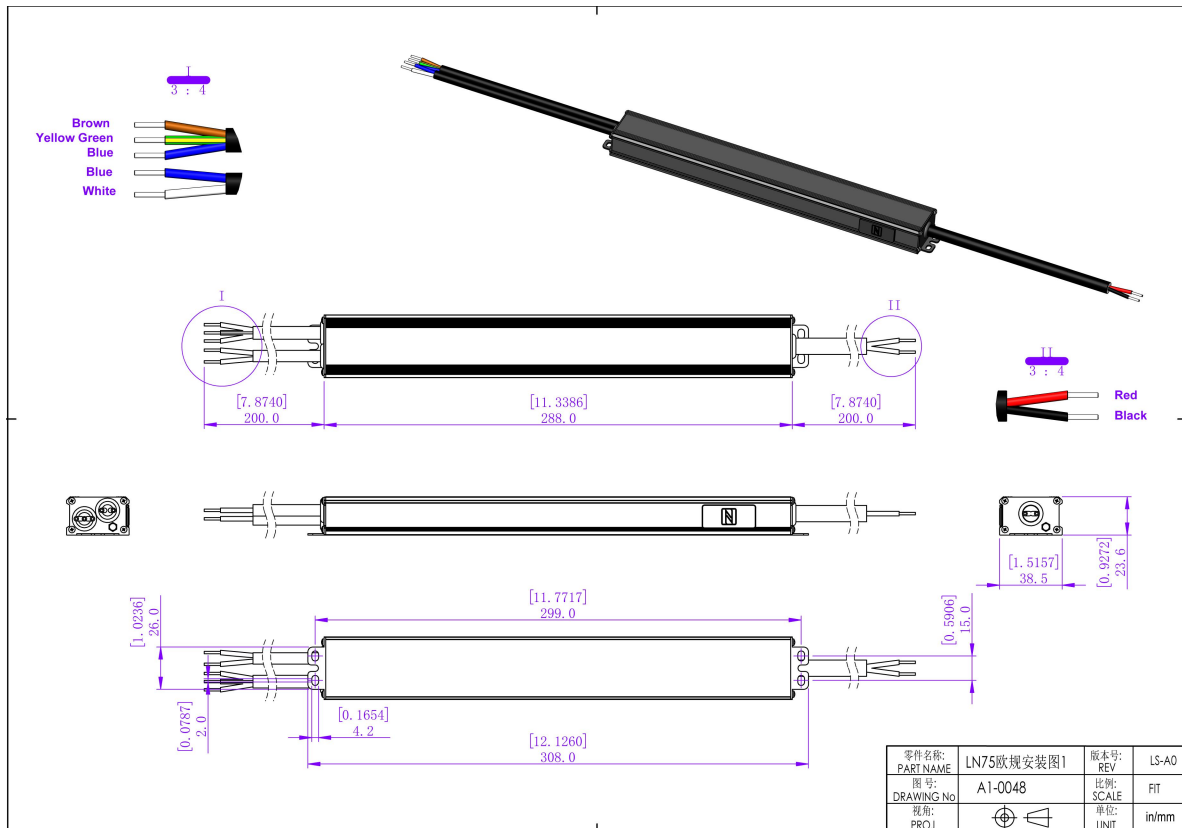
Safety & EMC

Safety standards	EN61347-1 EN61347-2-13(EU) & UL750 UL1310 (US)
Withstand voltage	I/P-O/P:3.75KVAC I/P-FG:1.5KVAC O/P-FG:0.5KVAC
Isolation resistance	I/P-O/P I/P-FG O/P-FG: 100MΩ/500VDC/25°C/70%RH
EMC Emission	EN55015 EN61000-3-2,3 (≥50%) (EU) & FCC Part 15 Subpart B(US)
EMC Immunity	EN61000-4-2,3,4,5,6,11 EN61547

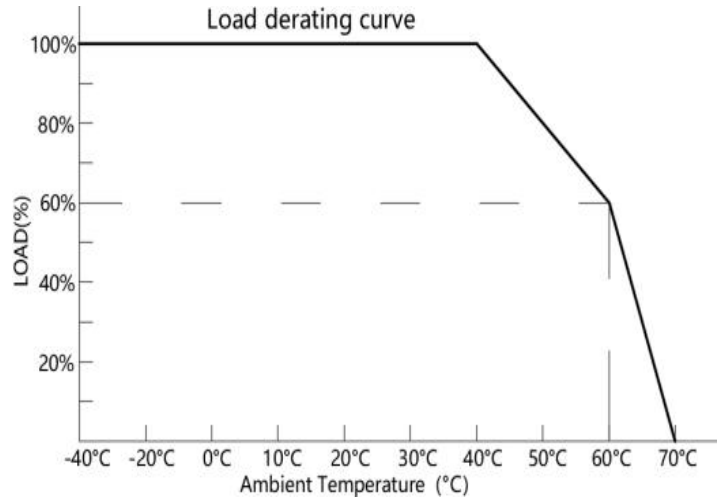
Other Specifications

Weight	0.41 Kg
Size	308 x 38.5 x 23.6 mm
Packing	350 x 275 x 145mm (20PCS/CTN)

Mechanical Specifications

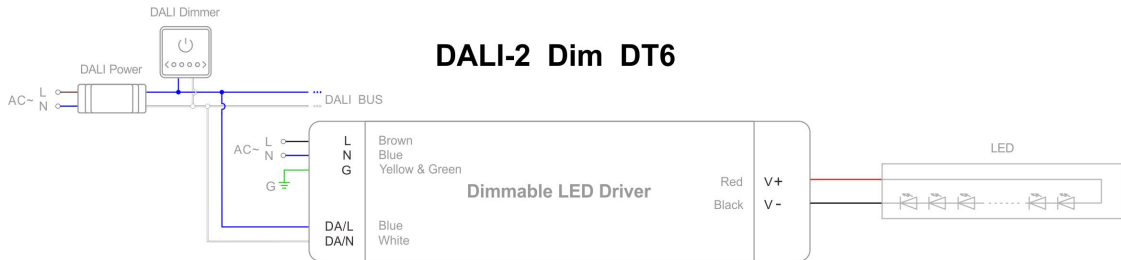


Derating Curve

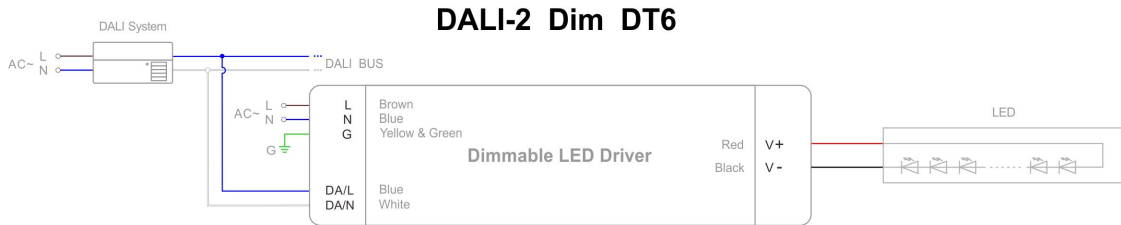


Dimming Operation

- Using DALI-2 dimming with DALI power and dimmer

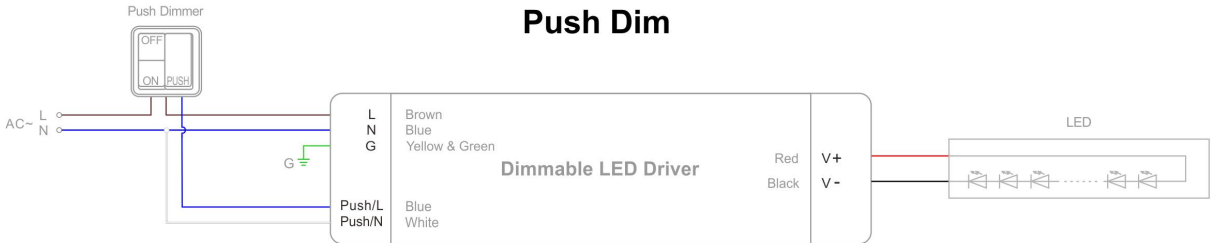


- Using DALI-2 dimming with DALI system and DALI bus



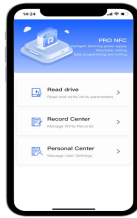
Dimming Operation

- Using PUSH dimming with dimmer (on & off function)



1 unit maximum for Push Dimming

NFC Function



ProNFC APP



NFC Handheld devices

- Address settings:

NFC setting address:

The address can be read and written by a mobile with ProNFC APP or NFC handheld device (NFC read & write device: NFC-RW) by close to the NFC signal area of the DALI driver.

NFC voltage regulation level

	level 1	level 2	level 3	level 4	level 5	level 6	level 7	level 8	level 9	level 10
12V	12V	12.2 V	12.3 V	12.5 V	12.6 V	12.8 V	13V	13.1 V	13.3 V	13.5 V
24V	24V	24.2 V	24.4 V	24.7 V	24.9 V	25.1 V	25.3 V	25.6 V	25.8 V	26.0 V
36V	36V	36.2 V	36.4 V	36.7 V	36.9 V	37.1 V	37.3 V	37.6 V	37.8 V	38.0 V
48V	48V	48.2 V	48.4 V	48.7 V	48.9 V	49.1 V	49.3 V	49.6 V	49.8 V	50.0 V

- This driver should be installed by qualified and professional person.
- Please make sure the driver is installed with adequate ventilation around it to allow for heat dissipation.
- Ensure that wiring is correct before test in order to avoid light and power supply damage.
- If driver Cannot work normally, don't maintain privately.