



## Features:

- Constant voltage/ PWM Output (NFC regulation)
- DALI & Push dimming function (0-100%)
- AC input: 100-277VAC
- Built-in active PFC function
- Efficiency up to 91.5%
- Protections: Short circuit/ Over load/ Over temperature
- Cooling by free air convection
- IP20 design for indoor installation.
- Suitable for intelligent LED lighting

## Models

ELED-60-12DP2SL

ELED-60-24DP2SL

ELED-60-48DP2SL

## Output Specifications

	ELED-60-12DP2SL	ELED-60-24DP2SL	ELED-60-48DP2SL
Output Voltage	12V (12-13.5V adjust by NFC)	24V (24-26V adjust by NFC)	48V (48-50V adjust by NFC)
Voltage Tolerance		± 0.2%	
Output Current	5A	2.5A	1.25A
Rated Power		60W	
Load Regulation	± 2%	± 1%	± 1%

## Input Specifications

Input Voltage	100-277VAC
Frequency Range	47-63Hz
Inrush Current	59A (Twidth=210µs 230VAC)
Full Load Efficiency (Typ.)	90% @277VAC      91.5% @277VAC      91.5% @277VAC
AC Current (Max.)	0.8A
Leakage Current	<0.50mA
Power Factor	PF≥0.99@120VAC PF≥0.98@230VAC PF≥0.95@277VAC (Full loading)

## Protection

Short Circuit	Hiccup mode, recovers automatically after fault condition is removed
Over Loading	≤120% hiccup mode, recovers automatically after fault condition is removed
Over Temperature	100°C± 10°C
Protection Class	I

## Environment

Working Temperature	-40~+60°C (Refer to derating curve)
Working Humidity	20-90% RH, non-condensing

## Safety & EMC

Storage Temperature, Humidity	-40~+80°C, 10-95% RH
Temperature Coefficient	±0.03%/°C (0-50°C)
Vibration	10-500Hz, 2G 10min./ 1 cycle, period for 60min.each along X, Y, Z axes

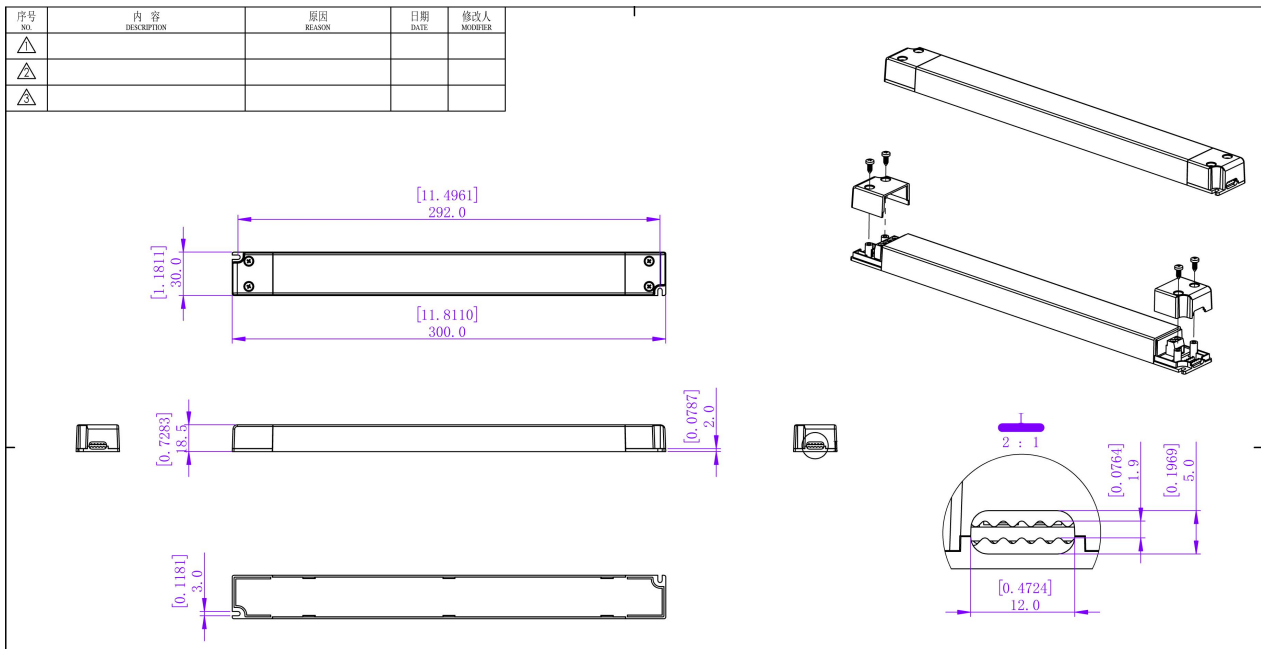
## Safety & EMC

Safety standards	EN61347-1, EN61347-2-13, EN62493, IP20 , UL8750 (US)
Withstand voltage	I/P-O/P:3.75KVAC I/P-FG:1.88KVAC O/P-FG:0.5KVAC
Isolation resistance	I/P-O/P I/P-FG O/P-FG: 100MΩ/500VDC/25°C/70%RH
EMC Emission	EN55015 EN61000-3-2,3 (≥50%) (EU) & FCC Part 15 Subpart B(US)
EMC Immunity	EN61000-4-2,3,4,5,6,11 EN61547

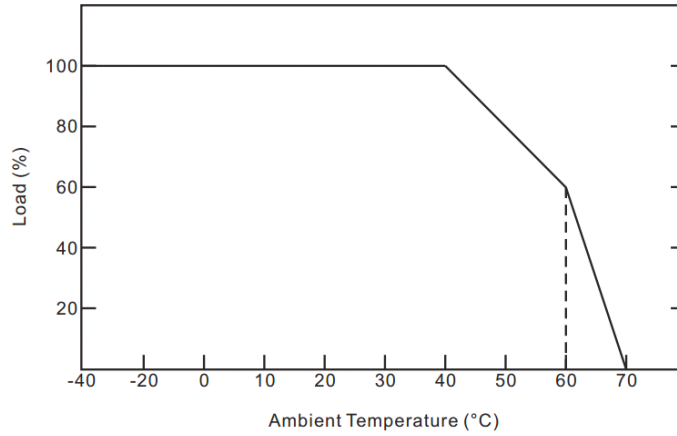
## Other Specifications

Weight	0.35 Kg
Size	192.5x 62x 24 mm
Packing	290x 215x 140mm (20PCS/CTN, 18 Kg/CTN))

## Mechanical Specifications

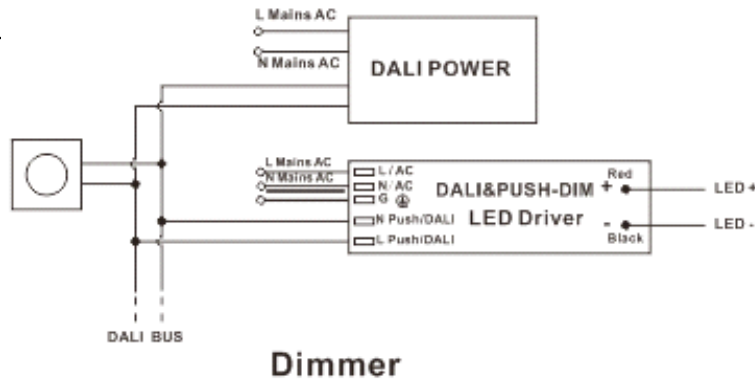


## Derating Curve

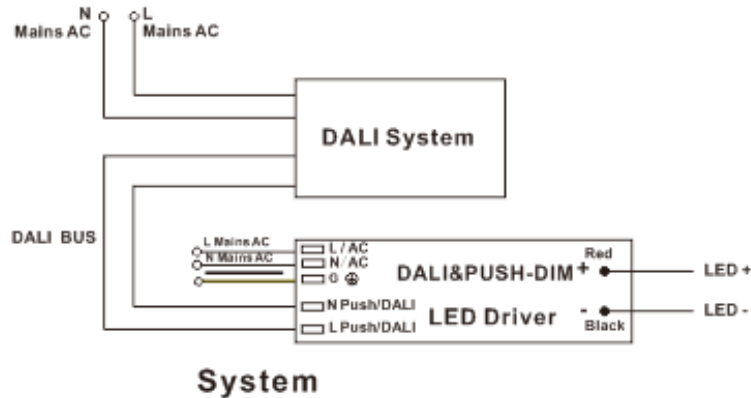


## Dimming Operation

### DALI Dimming Wiring Diagram1

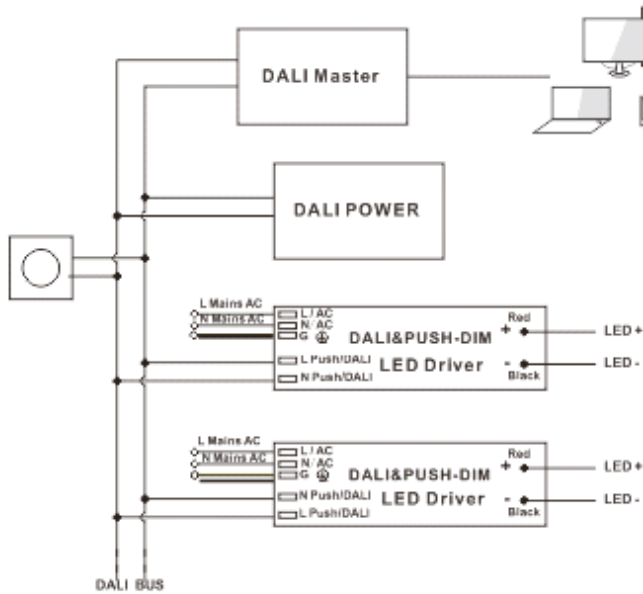


### DALI Dimming Wiring Diagram2



## Dimming Operation

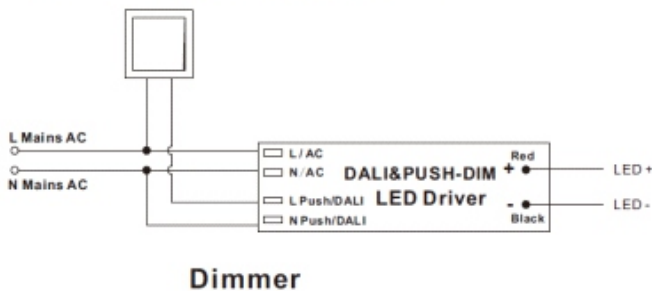
### DALI Dimming Wiring Diagram3



※Note: For DALI Dimming Wiring Diagram 3, please noted that only one DALI power is need in the DALI bus, so no extra DALI power is needed if the Master or Dimmer already includes the DALI Power.

### PC+DALI Master+DIMMER

### Push-Dimming Wiring Diagram2



### 1 unit maximum for Push Dimming