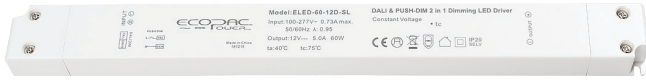


## Features:

- Slimline Constant Voltage Driver, Flicker free
- AC input: 100-277VAC
- Built in active PFC Function, >0.98
- Efficiency up to 88%
- Dimming range: 0-100%
- Protections: short circuit/ over loading/ over temperature
- Dimming function: Built in DALI interface dimming function conform to DALI Protocol IEC62386



## Models

### ELED-60-12D-SL

### ELED-60-24D-SL

## Output Specifications

	ELED-60-12D-SL	ELED-60-24D-SL
Output Voltage	12V	24V
Voltage Tolerance	<500mV	
Output Current	5A	2.5A
Rated Power	60W	

## Input Specifications

Input Voltage	100-277VAC	
Frequency Range	47-63Hz	
Inrush Current	34A (twidth=121us) @230VAC	
Full Load Efficiency (Typ.)	86%	88%
AC Current (Max.)	0.73A@100VAC	
Power Factor	PF >0.98/120VAC	

## Protection

Short Circuit	Shut down o/p voltage, re-power onto recover after fault condition is removed
Over Loading	<120%, Hiccup mode ,recovers automatically after fault condition is removed
Over Temperature	100°C ±10°C, re-power onto recover
Protection Class	II

## Environment

Working Temperature	-40~+60°C (Refer to derating curve)
Working Humidity	20-95% RH, non condensing
Storage Temperature, Humidity	-40~+80°C, 10-95% RH
Temperature Coefficient	±0.03%/°C (0-50°C)

## Environment

Vibration 10~500Hz, 5G 10min./1 cycle, period for 60min. each along X,Y,Z axes

## Safety & EMC

Safety standards EN61347-1, EN61347-2-13 (EU)

Withstand Voltage I/P-O/P:3.75KVAC (EU) and I/P-O/P:1.88KVAC (US)

Isolation Resistance I/P-O/P:100M Ohms/500VDC/25°C/70%RH

EMC Emission EN55015, EN61000-3-2 (≥60%load) (EU) and FCC Part 15 (US)

EMC Immunity Compliance to EN61000-4-2,3,4,5,6,11, EN61547, light industry

## Other Specifications

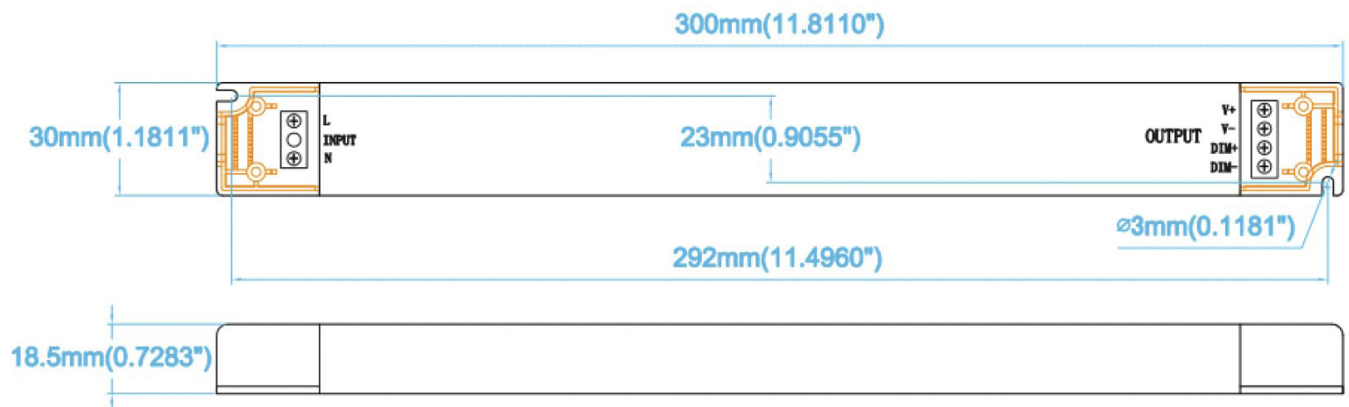
IP Rating IP20

Weight 0.25 Kg

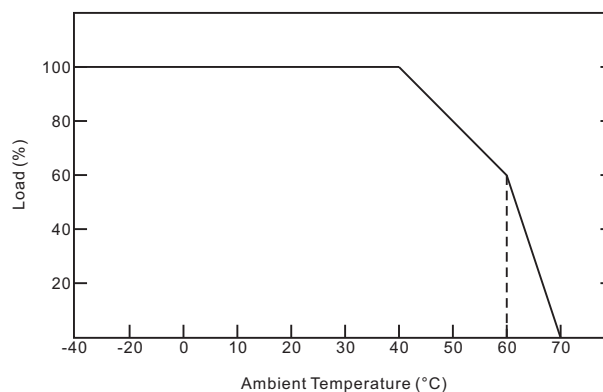
Size 300 x 30 x 18.5 mm

Packing 330 x 330 x 130 mm (50PCS/CTN), G.W.: 13.6KG/CTN

## Mechanical Specifications

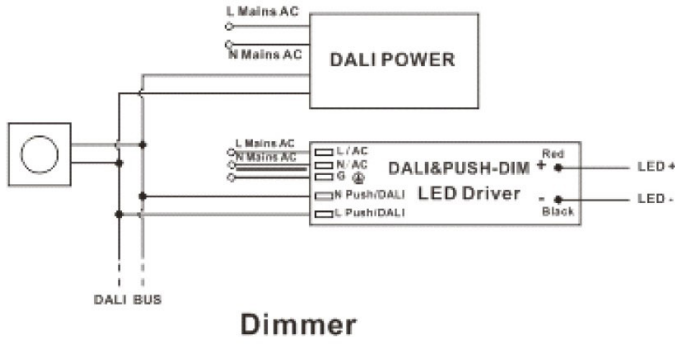


## Derating Curve

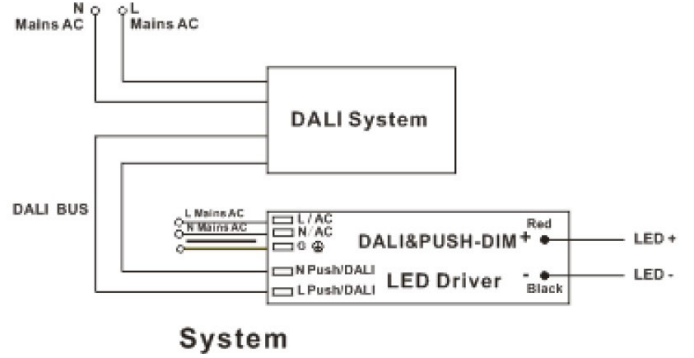


## Connecting Diagram

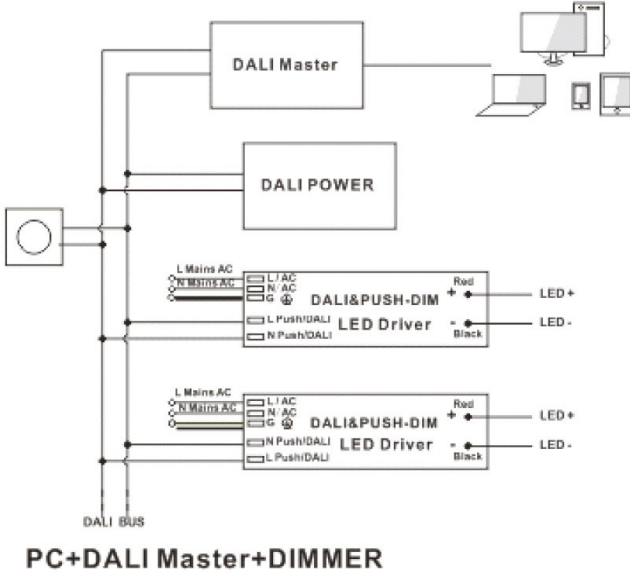
DALI Dimming Wiring Diagram1



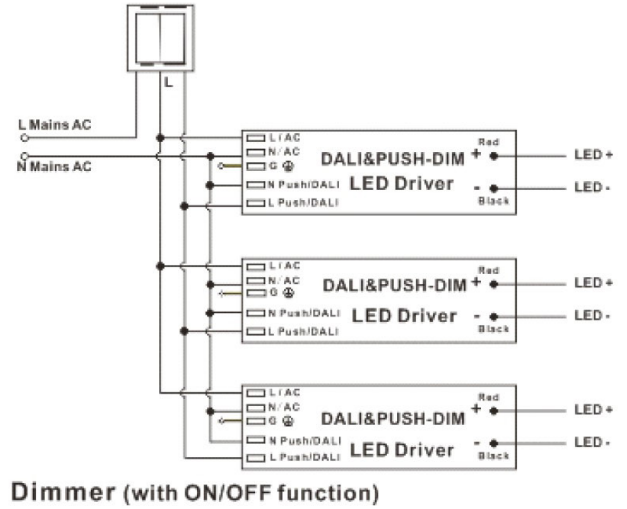
DALI Dimming Wiring Diagram2



DALI Dimming Wiring Diagram3



Push-Dimming Wiring Diagram1



Push-Dimming Wiring Diagram2

