



UK
CA



SELV IP66



Features:

- Three in one dimming function (0/10Vdc or PWM signal or resistance)
- Output constant voltage
- AC input 100-265VAC
- High efficiency up to 91%
- Protections: Short circuit/over loading/over current
- Cooling by free air convection
- Built-in active PFC function
- 5 years warranty

Models

ELED-300-12V

ELED-300-24V

ELED-360-48V

Output Specifications

	ELED-300-12V	ELED-300-24V	ELED-360-48V
DC Voltage	12V	24V	48V
Voltage Tolerance		± 0.5%	
Rated Current	25A	12.5A	7.5A
Rated power	300W	300W	360W

Input Specifications

Voltage Range	200-240VAC		
Frequency Range	47-63Hz		
Inrush Current	49.20A (Twidth=730µs 230VAC)		
Power Factor (Typ.)	PF≥0.98/230VAC PF≥0.95/265VAC(Full loading)		
Full Load Efficiency (Typ.)	90%		91%
AC Current (Typ.)	2A		
Leakage Current	<0.50mA		

Protection

Short Circuit	Hiccup mode, recovers automatically after fault condition is removed
Over Load	<120%
Over Current	<1.2*Iout

Environment

Working TEMP.	-40~+60°C
Working humidity	20- 95% RH, non-condensing
Storage Temp. Humidity	-40 - +80°C, 10-95%RH
Temp. Coefficient	± 0.03%/°C (0-50°C)

Environment

Vibration 10-500Hz 5G 12min./ 1 cycle, period for 60min. each along X, Y, Z axes

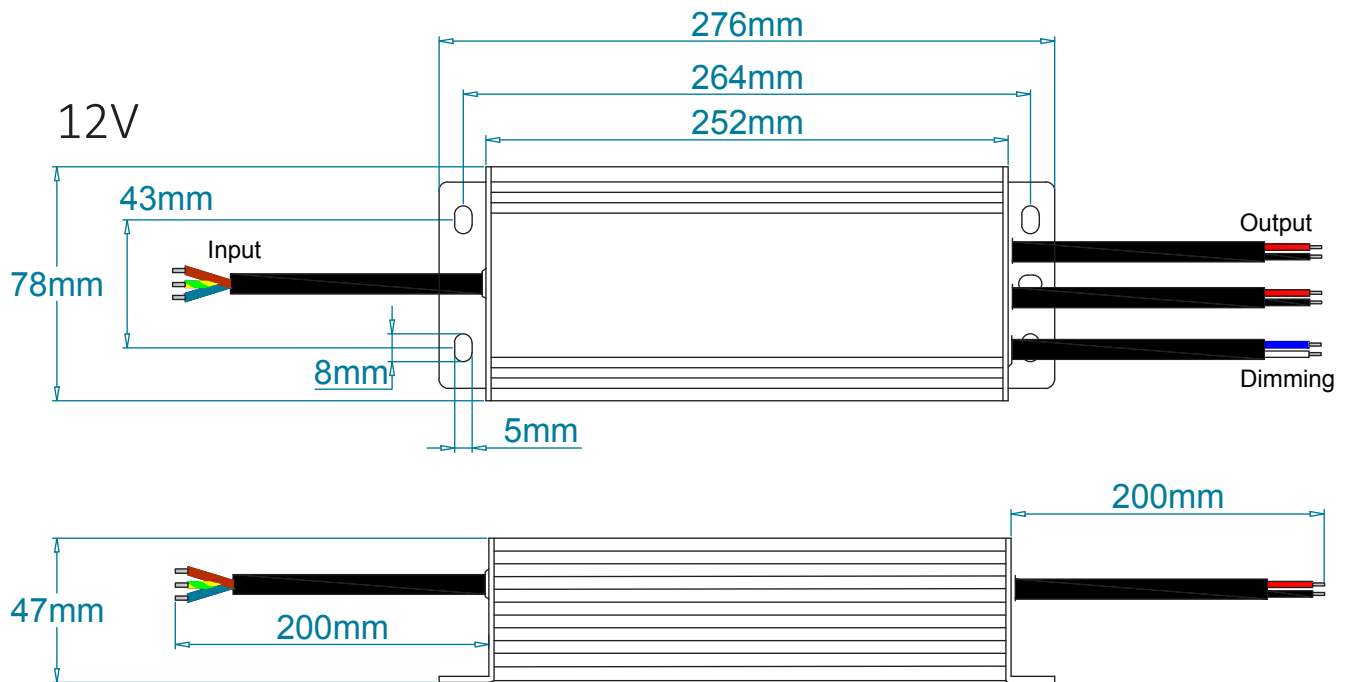
Safety & EMC

Safety standards	EN61347-1, EN61347-2-13
Withstand voltage	I/P-O/P:3.75KVAC I/P-FG:1.88KVAC O/P-FG:0.5KVAC
Isolation resistance	I/P-O/P I/P-FG O/P-FG:100M Ohms/500VDC/25°C/70%RH
EMC Emission	Compliance to EN55015, EN61000-3-2, EN61000-3-3
EMC Immunity	Compliance to EN61000-4-2,3,4,5,6,11, EN61547, light industry Level (surge 4KV) Criteria A

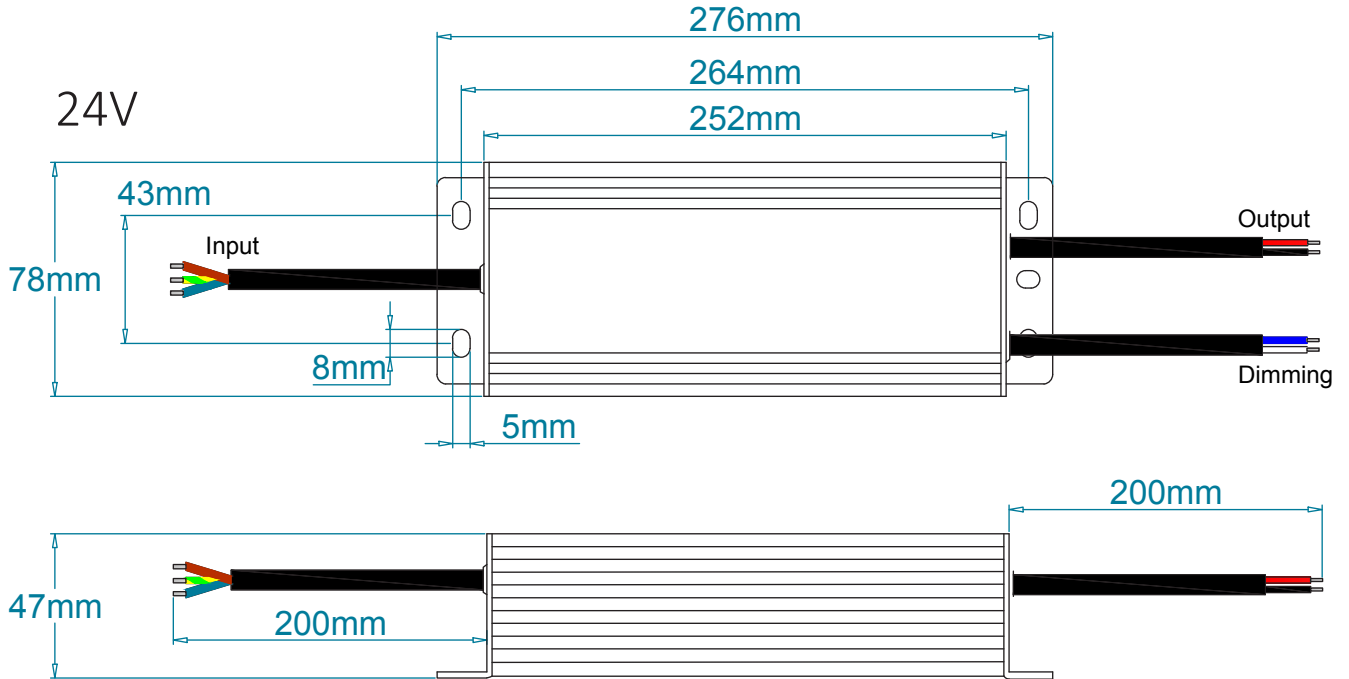
Other Specifications

Weight	1.7 Kg
Size	276 x 78 x 47 mm
Packing	390 x 310 x 185 mm (10PCS/CTN)

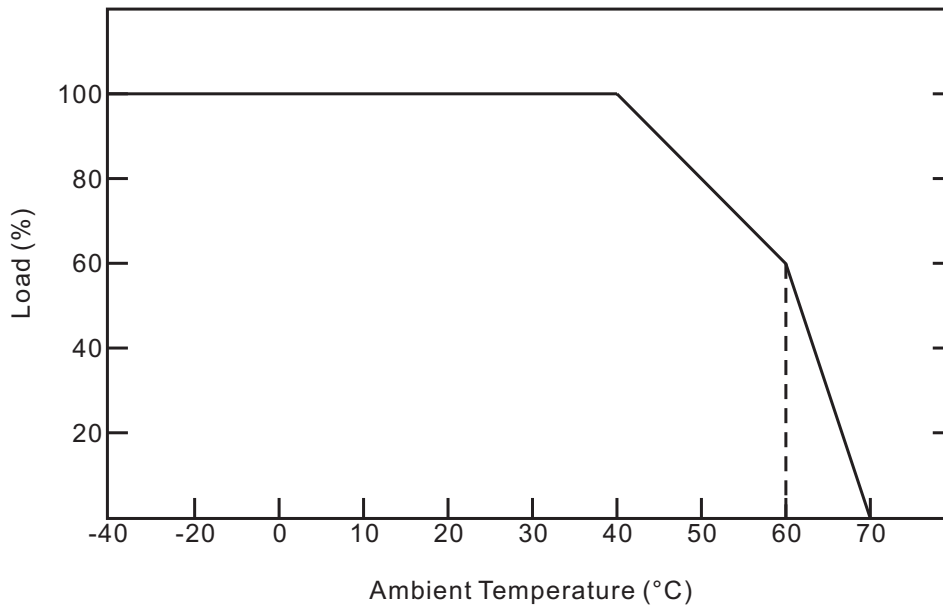
Mechanical Specifications



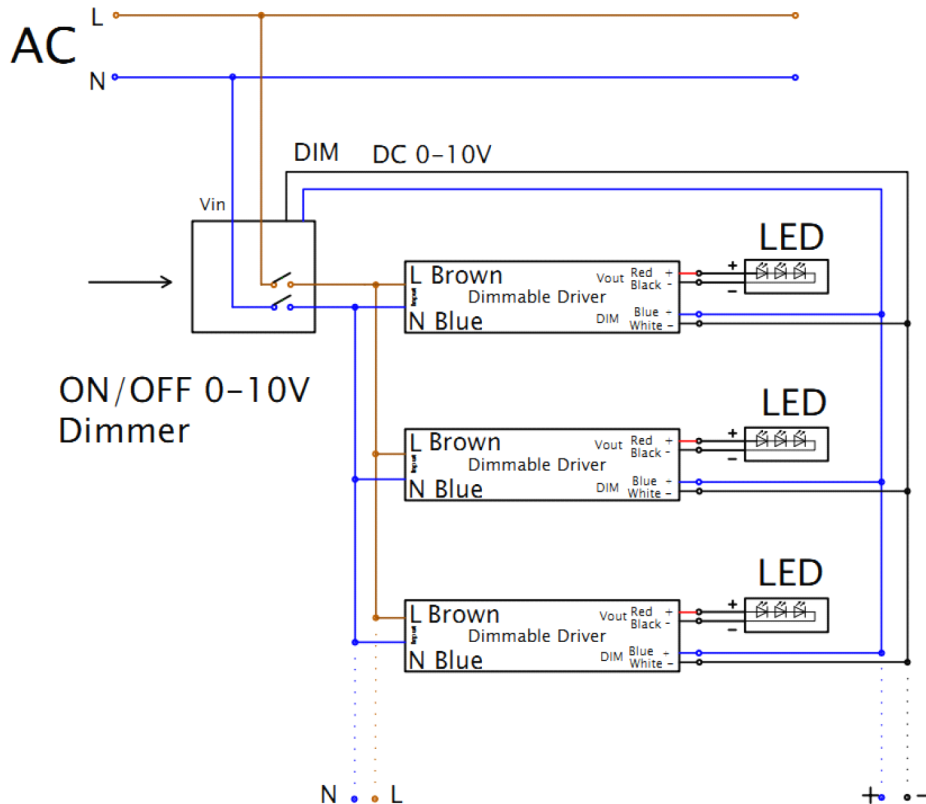
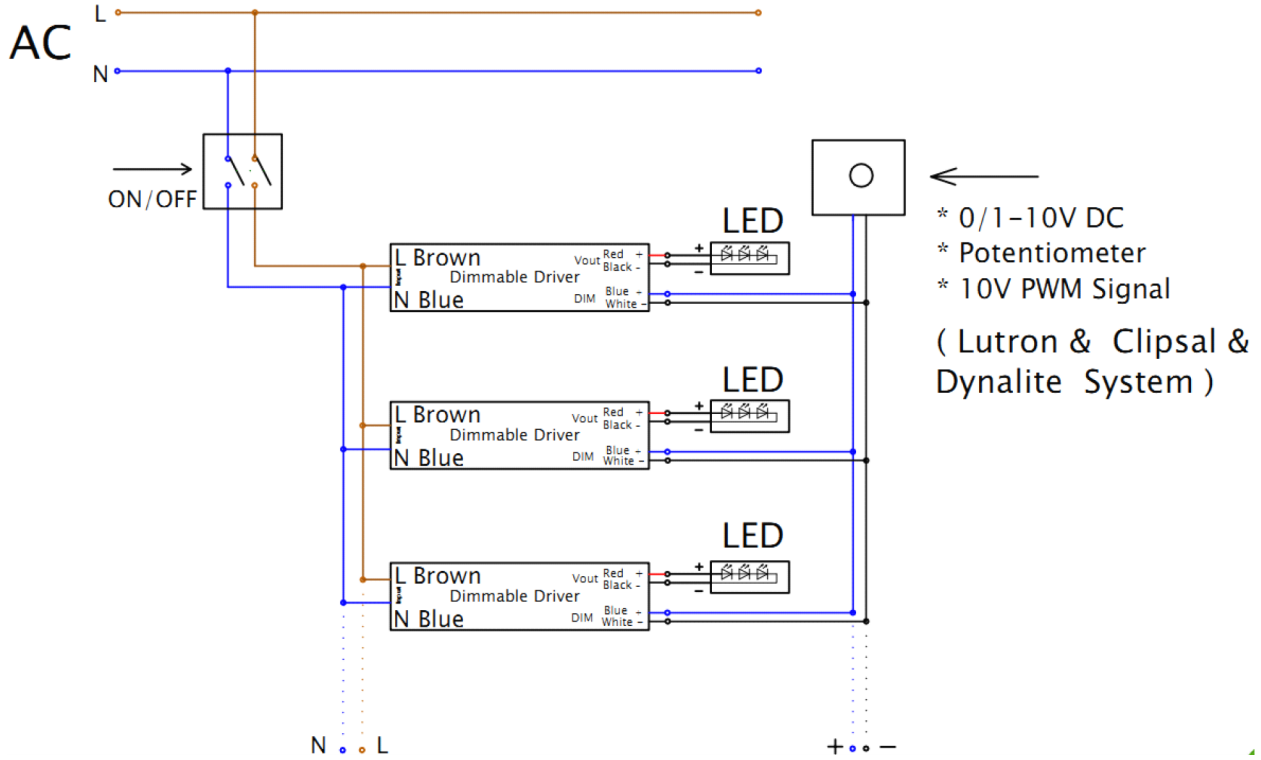
Mechanical Specifications



Derating Curve



Connection Drawing



Dimming Operation

※Reference resistance value: (Typical)

Resistance value	Single driver	0Ω	10KΩ	20KΩ	30KΩ	40KΩ	50KΩ	60KΩ	70KΩ	80KΩ	90KΩ	100KΩ	OPEN
	Multiple drivers	0Ω/N	10KΩ/N	20KΩ/N	30KΩ/N	40KΩ/N	50KΩ/N	60KΩ/N	70KΩ/N	80KΩ/N	90KΩ/N	100KΩ/N	—
Percentage of luminous		0%	10%	20%	30%	40%	50%	60%	70%	80%	90%	100%	100%

※1-10/0-10V dimmable function :(Typical)

Dimming value	0V	1V	2V	3V	4V	5V	6V	7V	8V	9V	10V	OPEN
Percentage of luminous	0%	10%	20%	30%	40%	50%	60%	70%	80%	90%	100%	100%

※10V PWM signal: (Typical): Frequency range:100Hz-3KHZ

Duty value	0%	10%	20%	30%	40%	50%	60%	70%	80%	90%	100%	OPEN
Percentage of luminous	0%	10%	20%	30%	40%	50%	60%	70%	80%	90%	100%	100%