



NFC Handheld devices



EasyNFC app



SELV IP66



Features:

- Constant voltage/ PWM Output (NFC regulation)
- DALI & Push dimming function (0-100%)
- AC input: 110-277VAC
- Built-in active PFC function
- Efficiency up to 91%
- Protections: Short circuit/ Over load/ Over temperature
- Cooling by free air convection
- IP66 design for indoor and outdoor installation.
- Suitable for intelligent LED lighting

Models

ELED-300-12DP2

ELED-300-24DP2

Output Specifications

	ELED-300-12DP2	ELED-300-24DP2
Output Voltage	12V (12-13.5V adjust by NFC)	24V (24-25.5V adjust by NFC)
Voltage Tolerance	± 0.2%	
Output Current	25A	12.5A
Rated Power	300W	
Load Regulation	± 2%	

Input Specifications

Input Voltage	100-277VAC	
Frequency Range	47-63Hz	
Inrush Current	60A (Twidth=188µs 230VAC)	
Full Load Efficiency (Typ.)	90%	89%
AC Current (Max.)	3.5A	
Leakage Current	<0.50mA	
Power Factor	PF≥0.98@120VAC PF≥0.95@230VAC PF≥0.90@277VAC (Full loading)	

Protection

Short Circuit	Constant current mode, recovers automatically after fault condition is removed
Over Loading	≤120% constant current limiting, recovers automatically after fault condition is removed
Over Temperature	100°C± 10°C
Protection Class	I

Environment

Working Temperature	-40~+60°C (Refer to derating curve)
Working Humidity	20-95% RH, non-condensing

Safety & EMC

Storage Temperature, Humidity	-40~+80°C, 10-95% RH
Temperature Coefficient	±0.03%/°C (0-50°C)
Vibration	10-500Hz, 5G 10min./ 1 cycle, period for 60min.each along X, Y, Z axes

Safety & EMC

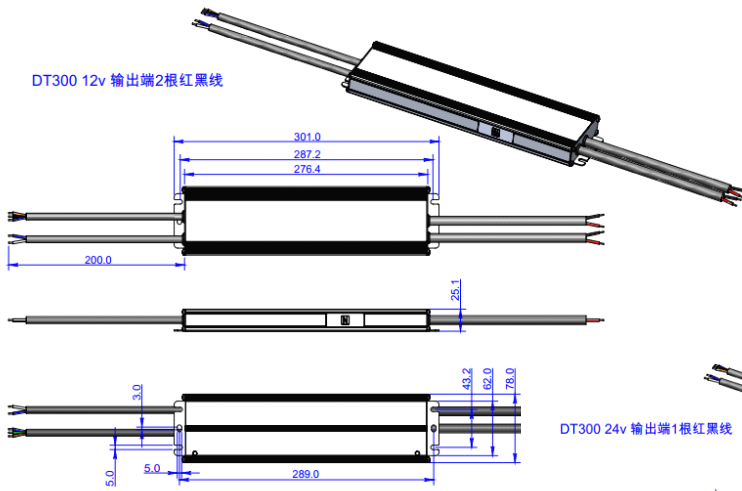
Safety standards	EN61347-1, EN61347-2-13, EN62493, UL8750 (US)IP66
Withstand voltage	I/P-O/P:3.75KVAC I/P-FG:1.88KVAC O/P-FG:0.5KVAC
Isolation resistance	I/P-O/P I/P-FG O/P-FG: 100MΩ/500VDC/25°C/70%RH
EMC Emission	Compliance to EN55015, EN61000-3-2, EN61000-3-3 (≥60% load)
EMC Immunity	Compliance to EN61000-4-2,3,4,5,6,11, EN61547

Other Specifications

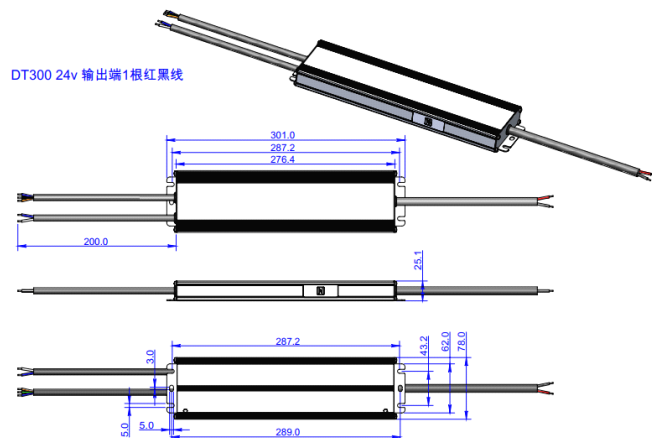
Weight	1.15Kg
Size	301x 78 x 25.1 mm
Packing	390 x 325 x 185 mm (20PCS/CTN, 24 Kg/CTN))

Mechanical Specifications

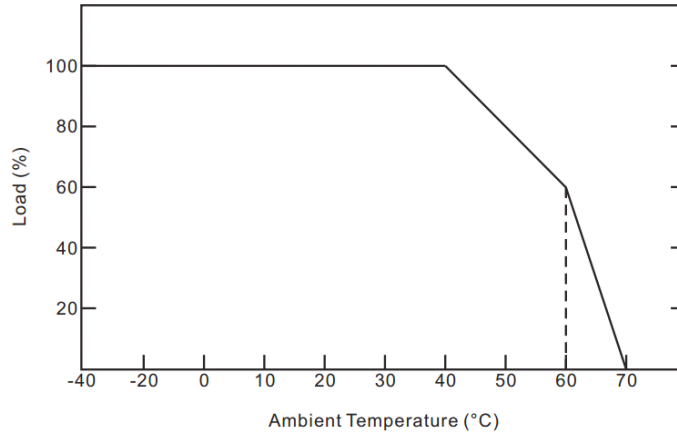
Model: ELED300-12DP2



Model: ELED-300-24DP2

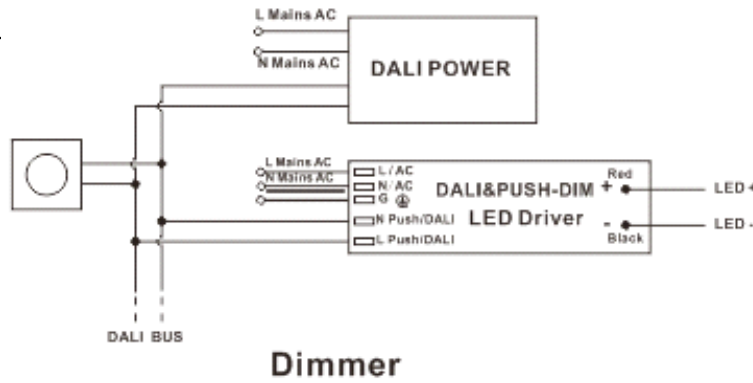


Derating Curve

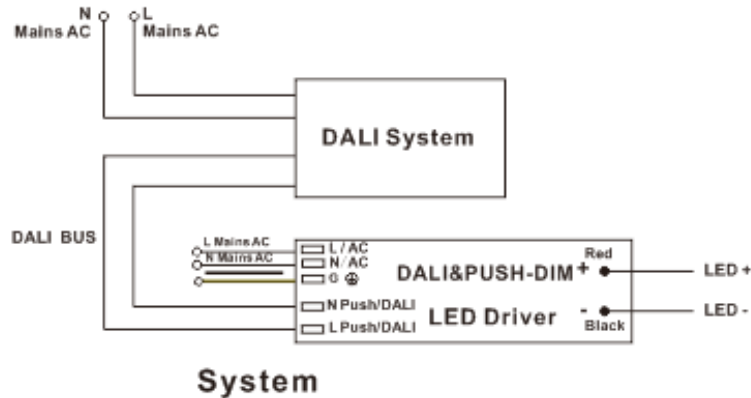


Dimming Operation

DALI Dimming Wiring Diagram1

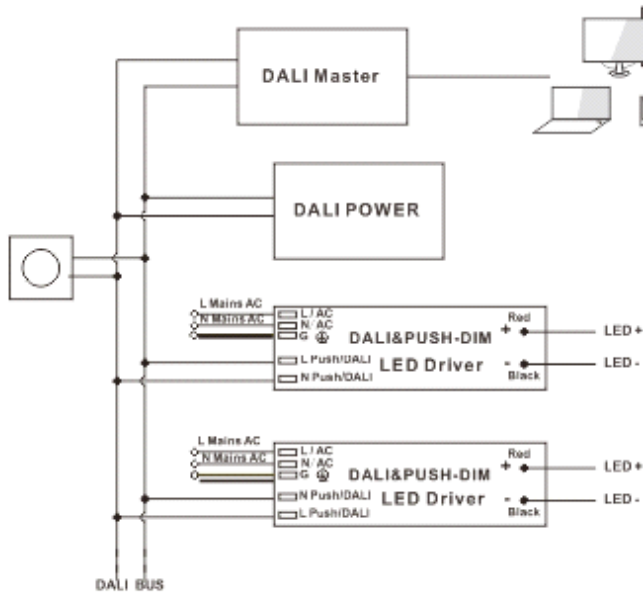


DALI Dimming Wiring Diagram2



Dimming Operation

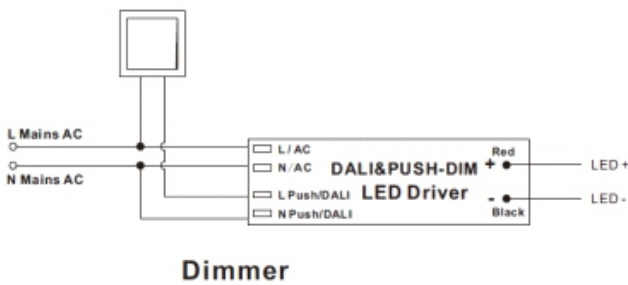
DALI Dimming Wiring Diagram3



※Note: For DALI Dimming Wiring Diagram 3, please noted that only one DALI power is need in the DALI bus, so no extra DALI power is needed if the Master or Dimmer already includes the DALI Power.

PC+DALI Master+DIMMER

Push-Dimming Wiring Diagram2



1 unit maximum for Push Dimming