

# ELED

Ecopac LED Dimmable Driver

## ELED-30-DP2-SLP Series

30W DALI 2 & Push Dimmable Slimline LED Driver



### Features:

- Constant voltage
- DALI & Push dimming function (0-100%)
- AC input: 100-277VAC
- Built-in active PFC function
- Efficiency up to 84%
- Protections: Short circuit/ Over load/ Over temperature
- Cooling by free air convection
- IP66 for indoor and outdoor
- Suitable for intelligent LED lighting
- 5 years warranty



NFC Handheld devices



EasyNFC app



EasyNFC app



NFC handheld device



SELV IP66



### Models

ELED-30-12DP2-SLP

ELED-30-24DP2-SLP

ELED-30-48DP2-SLP

### Output Specifications

	ELED-30-12DP2-SLP	ELED-30-24DP2-SLP	ELED-30-48DP2-SLP
Output Voltage	12V (12-13.5V adjust by NFC)	24V (24-26V adjust by NFC)	48V (48-50V adjust by NFC)
Voltage Tolerance		± 0.2%	
Output Current	2.5A	1.25A	0.625A
Rated Power		30W	
Load Regulation	± 2%	± 1%	± 1%

### Input Specifications

Input Voltage	100-277VAC
Frequency Range	47-63Hz
Inrush Current	32A (132us@50%Ipeak@230VAC)
Full Load Efficiency (Typ.)	83% 84% 84%
AC Current (Max.)	0.42A
Leakage Current	<0.5mA
Power Factor	PF≥0.98@120VAC PF≥0.98@230VAC PF≥0.95@277VAC (Full loading)

### Protection

Short Circuit	Hiccup mode, recover automatically after fault condition is removed
Over Loading	≤120% hiccup mode, recovers automatically after fault condition is removed
Over Temperature	100°C± 10°C
Protection Class	I

### Environment

Working Temperature	-40~+60°C (Refer to derating curve)
Working Humidity	20-95% RH, non-condensing

## Safety & EMC

Storage Temperature, Humidity	-40~+80°C, 10-95% RH
Temperature Coefficient	±0.03%/°C (0-50°C)
Vibration	10-500Hz, 5G 12min./ 1 cycle, period for 72min.each along X, Y, Z axes

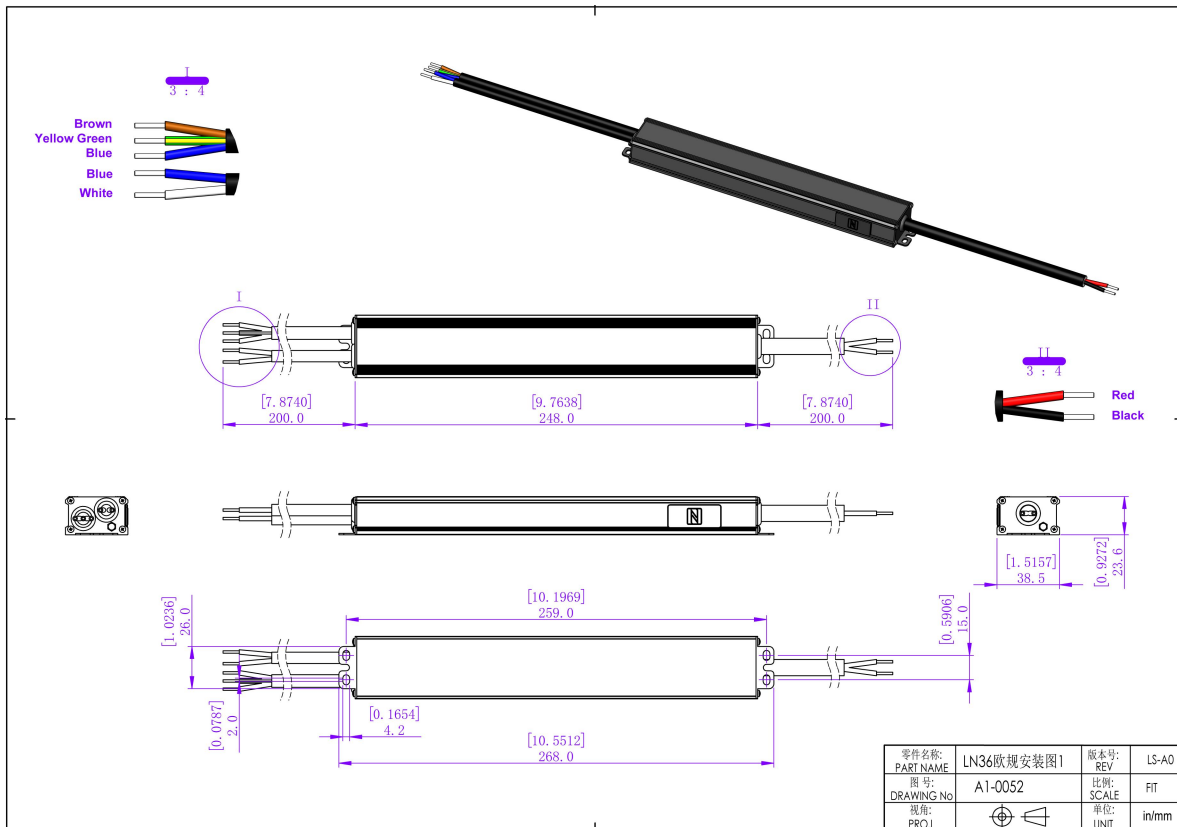
## Safety & EMC

Safety standards	EN61347-1 EN61347-2-13(EU) & UL8750 UL1310(US)
Withstand voltage	I/P-O/P:3.75KVAC (EU) & I/P-O/P:1.8KVAC (US)
Isolation resistance	I/P-O/P:100MΩ / 500VDC / 25°C / 70%RH
EMC Emission	EN55015 EN61000-3-2,3 (≥50%) (EU) & FCC Part 15 Subpart B(US)
EMC Immunity	EN61000-4-2,3,4,5,6,11 EN61547

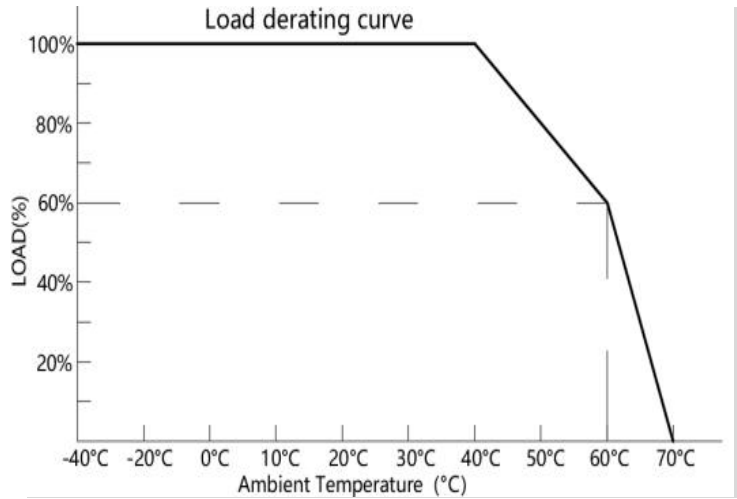
## Other Specifications

Weight	0.35 Kg
Size	268x 38.5 x 23.6 mm
Packing	(20PCS/CTN)

## Mechanical Specifications

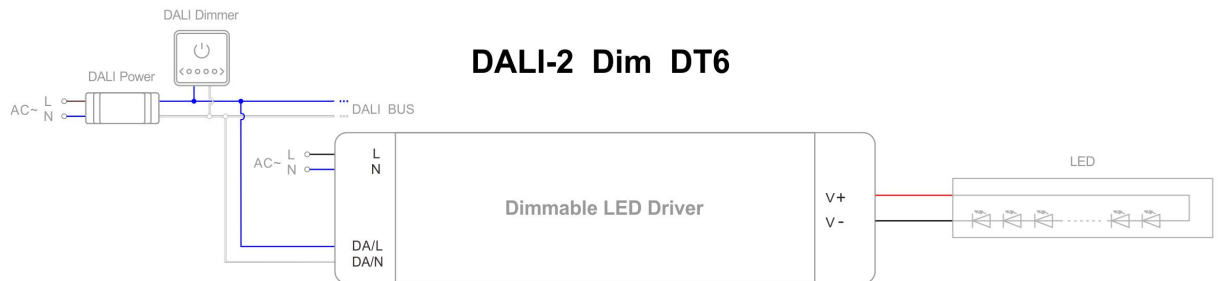


## Derating Curve

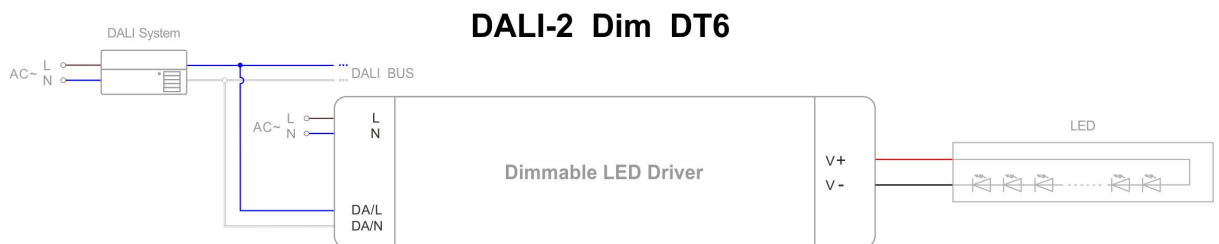


## Dimming Operation

- Using DALI-2 dimming with DALI power and dimmer

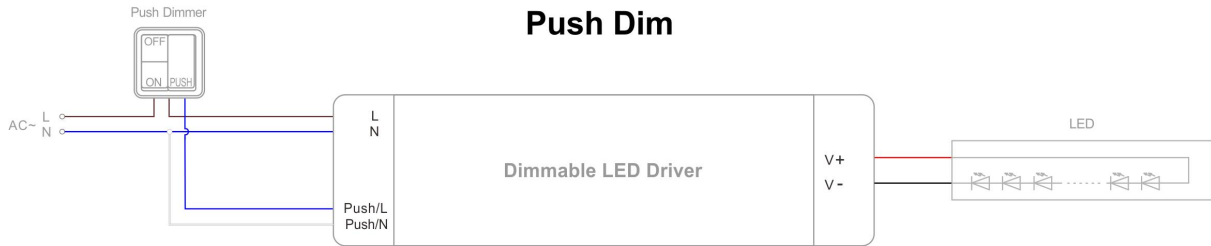


- Using DALI-2 dimming with DALI system and DALI bus



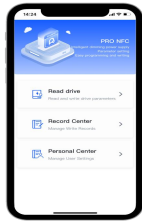
## Dimming Operation

- Using PUSH dimming with dimmer (on & off function)



1Unit maximum for Push Dimming

## NFC Function



ProNFC APP



NFC Handheld devices

- Address settings:

NFC setting address:

The address can be read and written by a mobile with ProNFC APP or NFC handheld device (NFC read & write device: NFC-RW) by close to the NFC signal area of the DALI driver.

NFC voltage regulation level										
	level 1	level 2	level 3	level 4	level 5	level 6	level 7	level 8	level 9	level 10
<b>12V</b>	12V	12.2V	12.3V	12.5V	12.6V	12.8V	13V	13.1V	13.3V	13.5V
<b>24V</b>	24V	24.2V	24.4V	24.7V	24.9V	25.1V	25.3V	25.6V	25.8V	26.0V
<b>36V</b>	36V	36.2V	36.4V	36.7V	36.9V	37.1V	37.3V	37.6V	37.8V	38.0V
<b>48V</b>	48V	48.2V	48.4V	48.7V	48.9V	49.1V	49.3V	49.6V	49.8V	50.0V

- This driver should be installed by qualified and professional person.
- Please make sure the driver is installed with adequate ventilation around it to allow for heat dissipation.
- Ensure that wiring is correct before test in order to avoid light and power supply damage.
- If driver Cannot work normally, don't maintain privately.