



## Features:

- Constant voltage/ PWM Output
- Leading & Trailing edge dimmable
- AC input: 200-240VAC
- Built-in active PFC function
- Efficiency up to 85%
- Protections: Short circuit/ Over loading/ Over current/ Over temperature
- Full protection aluminium housing
- Cooling by free air convection
- Suitable for LED lighting and moving signs
- 5 years warranty

UK  
CA



## Models

	ELED-100P-12T	ELED-100P-24T	ELED-100P-48T
<b>Output Specifications</b>			
Output Voltage	12V	24V	48V
Voltage Tolerance		±0.5V	
Output Current	8.33A	4.16A	2.09A
Rated Power		100W	
<b>Input Specifications</b>			
Input Voltage	200-240VAC		
Frequency Range	47-63Hz		
Inrush Current	49.5A (Twidth=490µs 230VAC)		
Full Load Efficiency (Typ.)	83%	84%	85%
AC Current (Max.)	0.8A		
Leakage Current	<0.50mA		
Power Factor	PF>0.97/200VAC PF>0.97/230VAC PF>0.97/240VAC (Full Loading)		
<b>Protection</b>			
Short Circuit	Shut down o/p voltage, re-power on to recover after fault condition is removed		
Over Loading	≤120%, shut down o/p voltage, re-power on to recover		
Over Temperature	100°C± 10°C shut down o/p voltage, re-power on to recover		
<b>Environment</b>			
Working Temperature	-40~+60°C (Refer to derating curve)		
Working Humidity	20-95% RH, non-condensing		
Storage Temperature, Humidity	-40~+80°C, 10-95% RH		
Temperature Coefficient	±0.03%/°C (0-40°C)		

## Environment

Vibration 10-500Hz, 5G 12min./ 1 cycle, period for 72min.each along X, Y, Z axes

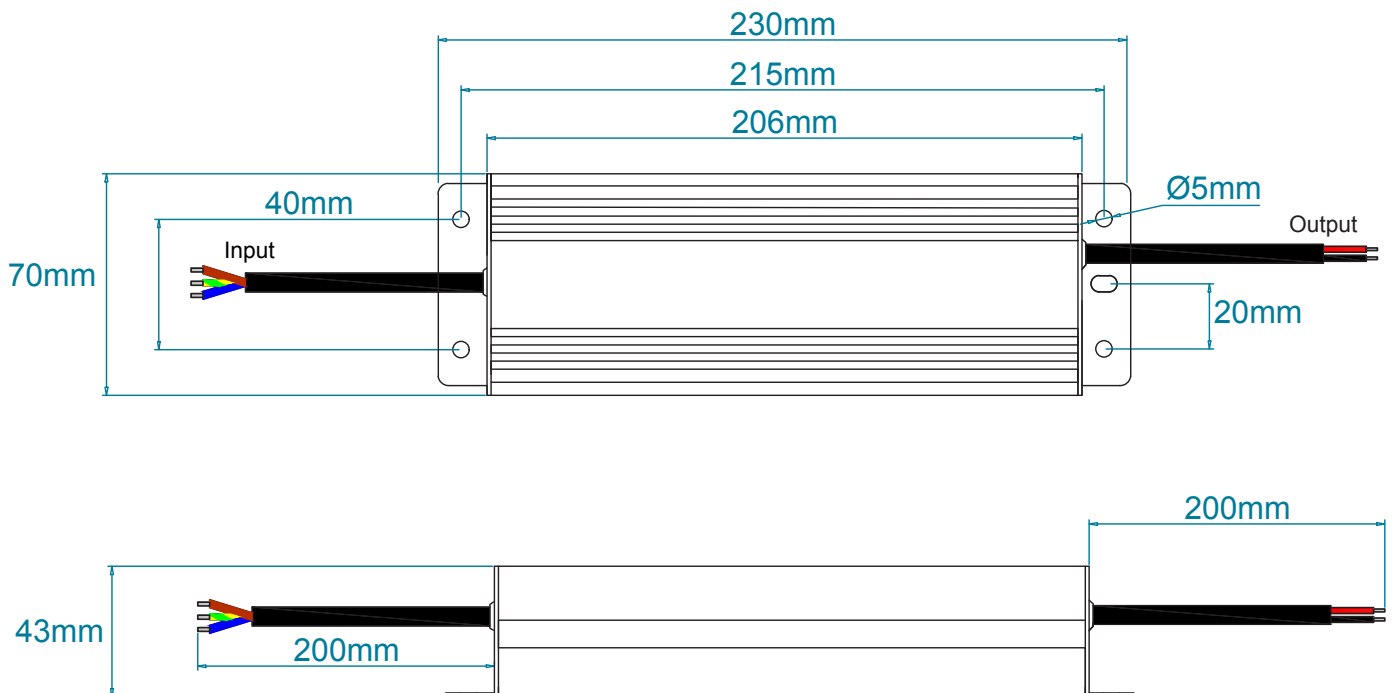
## Safety & EMC

Safety standards	EN61347-1, EN61347-2-13
Withstand Voltage	I/P-O/P:3.75KVAC I/P-FG:1.88KVAC O/P-FG:0.5KVAC
Isolation Resistance	I/P-O/P I/P-FG O/P-FG: 100MΩ/500VDC/25°C/70%RH
EMC Emission	Compliance to EN55015, EN61000-3-2, 3 (>60%load)
EMC Immunity	EN61000-4-2,3,4,5,6,11, EN61547

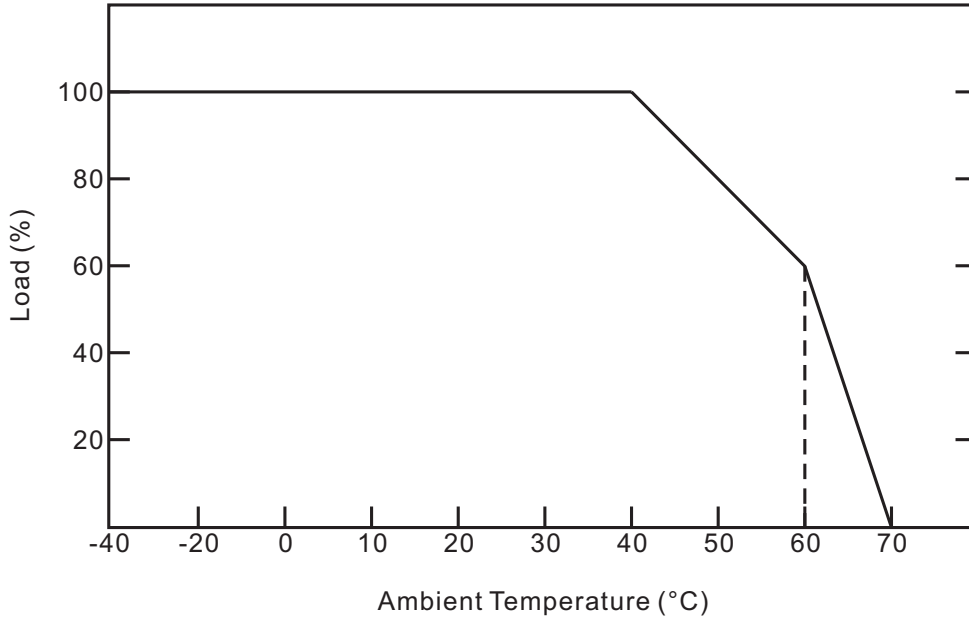
## Other Specifications

Weight	1.1 kg
Size	230 x 70 x 43 mm
Packing	245 x 75 x 65 mm (inner box), 340 x 275 x 170 mm (10PCS/CTN)

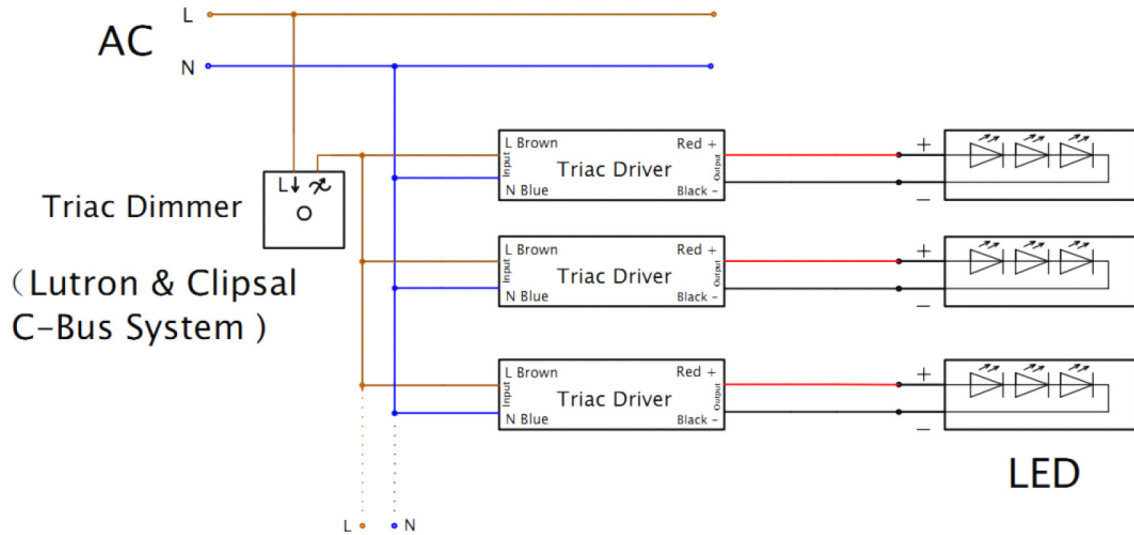
## Mechanical Specifications



## Derating Curve



## Connecting Diagram



## Connecting Diagram

