

# ECM12 Range

## 12 Watt Multi Head Range

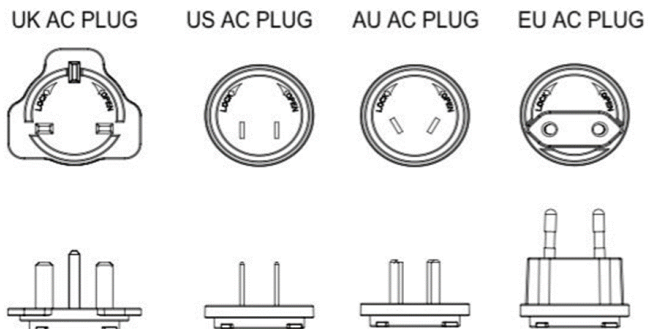
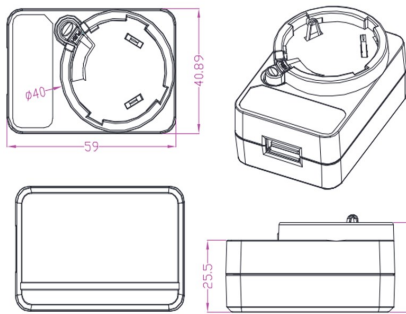


### Features :

- Interchangeable AC Heads
- DOE Level VI Efficiency
- Overcurrent Protection
- Short Circuit Protection
- RoHs Compliant
- 1 Year Warranty
- EN62368 Approved

Model	ECM-12-05	ECM-12-09	ECM-12-12	ECM-12-24	
<b>Output</b>	DC Voltage	5vdc	9vdc	12vdc	24vdc
	Rated Current	2amp	1.33amp	1amp	0.50amp
	Current Range	0-2amp	0-1.33amp	0-1amp	0-500mA
	Rated Power	12 Watt	12 Watt	12 Watt	12 Watt
	Ripple & Noise	200mVp-p max	200mVp-p max	200mVp-p max	200mVp-p max
	Output Regulation	±5%	±5%	±5%	±5%
Output Connector	2.1x5.5x12mm C+ve	2.1x5.5x12mm C+ve	2.1x5.5x12mm C+ve	2.1x5.5x12mm C+ve	
<b>Input</b>	Voltage Range	90-264vac	90-264vac	90-264vac	90-264vac
	Frequency Range	47-63Hz	47-63Hz	47-63Hz	47-63Hz
	Input Current	1.2amp Max	1.2amp Max	1.2amp Max	1.2amp Max
	Inrush Current	40amp Max	40amp Max	40amp Max	40amp Max
	Standby Power	0.1W Max	0.1W Max	0.1W Max	0.1W Max
	Leakage Current	0.25amp Max	0.25amp Max	0.25amp Max	0.25amp Max
Input Connector	UK, EU, US & AUS AC Heads	UK, EU, US & AUS AC Heads	UK, EU, US & AUS AC Heads	UK, EU, US & AUS AC Heads	
<b>Environment</b>	Operating Temp	0°C~40°C	0°C~40°C	0°C~40°C	0°C~40°C
	Cooling	Convection	Convection	Convection	Convection
	Temperature Coefficient	0.05%/°C	0.05%/°C	0.05%/°C	0.05%/°C
	Humidity	5~95%RH(non-condensing)	5~95%RH(non-condensing)	5~95%RH(non-condensing)	5~95%RH(non-condensing)
Storage Temp	-20°C~+80°C	-20°C~+80°C	-20°C~+80°C	-20°C~+80°C	
<b>Safety &amp; EMC</b>	Safety Standards	UL/CUL 62368-1, GS/TUV EN62368-1, SAA AS/NZ62368-1			
	EMC Emissions	EN55032,EN55035, FCC Part 15 Class B			

### Mechanical Specification



**Ecopac UK Power Ltd**  
 Unit 4 Ridgeway  
 Crendon Industrial Area  
 Long Crendon  
 Buckinghamshire, HP18 9BF